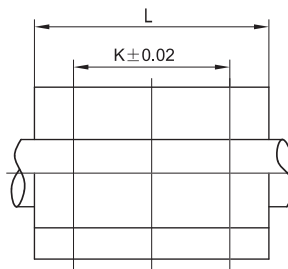
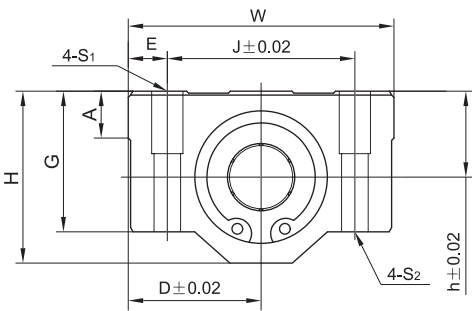


LIN-11G 标准设计直线轴承座 Housing bearings, standard design



- 封闭式带轴承座设计
- 装配LIN-11R直线轴承
- 阳极氧化铝合金座孔
- 螺栓固定
- 免维护、低噪音
- 适用于污垢或灰尘环境
- 使用温度-50℃/+90℃
- Closed design with housing
- Assembled linear bearings LIN-11R
- Anodized aluminum housing
- Secured by bolts
- Maintenance-free and low noise
- Resistance to dirt and dust
- Operation temperature -50℃/+90℃

标准规格 Standard specifications



产品编码 Part No.:

LIN-11G-16

轴承内径 Inner diameter

标准设计直线轴承座

Pillow block, standard design

LIN-11R直线轴承

Standard bearings LIN-11R

轴 Shaft: h6-h9

| 产品编码 Part No. | 内装轴承 Bearing [mm] | 轴径 Shaft [mm] | 尺寸 Size [mm] | | | | | | | | | | | |
|------------------|-------------------------|---------------------|--------------|----|-----|------|------|----|-----|-----|----------------|----------------|----|-----|
| | | | h | D | W | H | G | A | J | E | S ₁ | S ₂ | K | L |
| LIN-11G-12 | LIN-11R-12 | 12 | 15 | 22 | 44 | 30 | 24 | 8 | 33 | 5.5 | M5*12 | Φ4.3 | 26 | 39 |
| LIN-11G-16 | LIN-11R-16 | 16 | 19 | 25 | 50 | 38.5 | 32.5 | 9 | 36 | 7 | M5*12 | Φ4.3 | 34 | 44 |
| LIN-11G-20 | LIN-11R-20 | 20 | 21 | 27 | 54 | 41 | 35 | 11 | 40 | 7 | M6*12 | Φ5.2 | 40 | 53 |
| LIN-11G-25 | LIN-11R-25 | 25 | 26 | 38 | 76 | 51.5 | 41 | 12 | 54 | 11 | M8*12 | Φ7 | 50 | 67 |
| LIN-11G-30 | LIN-11R-30 | 30 | 30 | 39 | 78 | 59.5 | 49 | 15 | 58 | 10 | M8*12 | Φ7 | 58 | 76 |
| LIN-11G-40 | LIN-11R-40 | 40 | 40 | 51 | 102 | 78 | 62 | 20 | 80 | 11 | M10*12 | Φ8.7 | 60 | 90 |
| LIN-11G-50 | LIN-11R-50 | 50 | 52 | 61 | 122 | 102 | 80 | 24 | 100 | 11 | M10*12 | Φ8.7 | 80 | 110 |

| 产品编码 Part No. | 内径 I.D [mm] | 公差 Tolerance [mm] | F max. [N] | | 重量 Weight [g] |
|------------------|----------------|----------------------|------------------------------|------------------------------|------------------|
| | | | 最大动载荷 Dynamic Load P=5MPa | 最大静载荷 Static Load P=35MPa | |
| LIN-11G-12 | 12 | +0.030/+0.088 | 960 | 6720 | 79 |
| LIN-11G-16 | 16 | +0.030/+0.088 | 1440 | 10080 | 125 |
| LIN-11G-20 | 20 | +0.030/+0.091 | 2250 | 15750 | 159 |
| LIN-11G-25 | 25 | +0.030/+0.091 | 3625 | 25375 | 343 |
| LIN-11G-30 | 30 | +0.040/+0.110 | 5100 | 35700 | 450 |
| LIN-11G-40 | 40 | +0.040/+0.115 | 8000 | 56000 | 1021 |
| LIN-11G-50 | 50 | +0.040/+0.130 | 9000 | 87500 | 1871 |